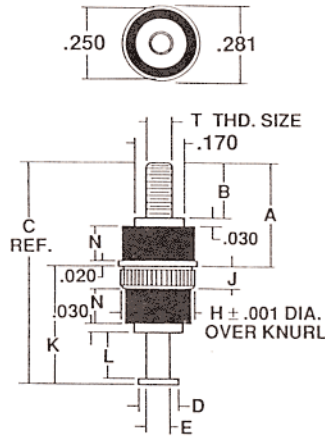
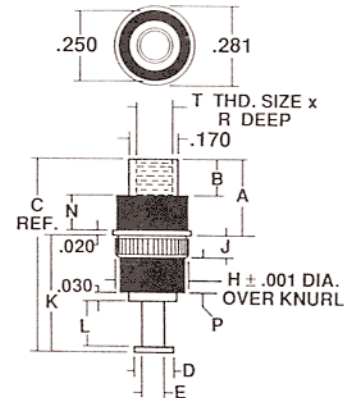


**EMC® Product "FT" Series**



**Type 71**



**Type 37**

**Plating:**

- 14: 400µ" Tin terminal, 200µ" Cadmium Chromate base/eyelet
- 4: 30µ" Gold terminal, 200µ" Cadmium Chromate base/eyelet
- 17: 400µ" Tin terminal, 200µ" Nickel base/eyelet
- 52: 400µ" Tin terminal, 200µ" Cadmium Chromate base/eyelet

**Material:**

- Terminal: Brass, 1/2-hard, QQ-B-626
- Base/Eyelet: Brass, 1/2-hard, QQ-B-626
- Insulator: Diallyl Phthalate, MIL-M-14F Type SDG

Type	EMC Part #	Flash-over Volt.	A	B	C	D	E	H	J	K	L	N	P	R	T	Mtg. Hole Dia.	Mtg. Tool
71	4807-14-1	3000	.362 (9.19)	.187 (4.75)	.768 (19.51)	.140 (3.56)	.078 (1.98)	.254 (6.45)	.075 (1.91)	.406 (10.31)	.156 (3.96)	.125 (3.18)	--	--	4-40	.250 (6.35)	4799
71	4808-14-1	3000	.362 (9.19)	.187 (4.75)	.768 (19.51)	.140 (3.56)	.078 (1.98)	.254 (6.45)	.075 (1.91)	.406 (10.31)	.156 (3.96)	.125 (3.18)	--	--	6-32	.250 (6.35)	4799
37	4392-14-1	1300	.150 (3.81)	.100 (2.54)	.400 (10.16)	.090 (2.29)	.065 (1.65)	.254 (6.45)	.075 (1.91)	.250 (6.35)	.125 (3.18)	.030 (.76)	.015 (.38)	.187 (4.75)	6-32	.250 (6.35)	4467
37	7552-14-1	1300	.150 (3.81)	.100 (2.54)	.400 (10.16)	.090 (2.29)	.065 (1.65)	.254 (6.45)	.075 (1.91)	.250 (6.35)	.125 (3.18)	.030 (.76)	.015 (.38)	--	--	.250 (6.35)	4467
37	5119-14-1	1300	.080 (2.03)	.015 (.38)	.260 (6.60)	.125 (3.18)	.065 (1.65)	.254 (6.45)	.075 (1.91)	.180 (4.57)	.125 (1.14)	.045 (1.14)	.045 (.64)	.156 (3.96)	4-40	.250 (6.35)	4648
37	4179-14-1	1300	.065 (1.65)	.015 (.38)	.215 (5.46)	.090 (2.29)	.065 (1.65)	.254 (6.45)	.075 (1.91)	.150 (3.81)	.025 (.64)	.030 (.76)	.015 (.38)	.125 (3.18)	4-40	.250 (6.35)	4648
37	4802-14-1	3000	.270 (6.86)	.125 (3.18)	.676 (17.17)	.140 (3.56)	.078 (1.98)	.254 (6.45)	.075 (1.91)	.406 (10.31)	.156 (3.96)	.125 (3.18)	.125 (3.18)	.250 (6.35)	6-32	.250 (6.35)	4467
37	4801-14-1	3000	.270 (6.86)	.125 (3.18)	.676 (17.17)	.140 (3.56)	.078 (1.98)	.254 (6.45)	.075 (1.91)	.406 (10.31)	.156 (3.96)	.125 (3.18)	.125 (3.18)	.250 (6.35)	4-40	.250 (6.35)	4648

inch  
(mm)